

C-Type BELT CLEANERS

The C-type belt cleaners automatically adjust to the different conditions of the conveyor belt. The tip and support overlay design allow precise cleaning that leaves no spaces uncovered.

When the cleaner meets an irregular or worn surface of the belt, the direction of the blades is adjusted according to the condition of the belt. Thus, in case of anomalies in the conveyor system, belt damage is reduced thanks to this automatic orientation of the assembly.

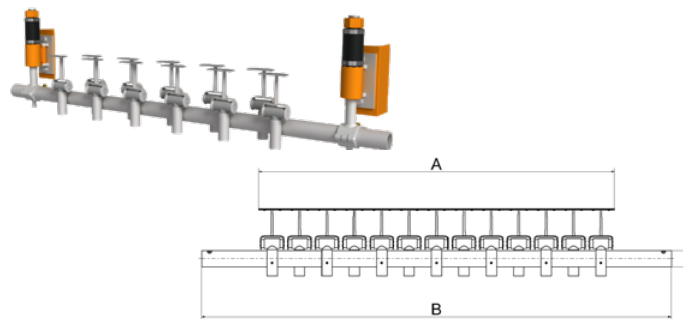
These self-adjusting and flexible belt cleaners keep belt wear to a minimum. The C-type models make efficient cleaning possible and can be installed in any environment, even on small or very wide conveyors. Depending on the working conditions, the components of this cleaner can be assembled in the same place of installation.

SELECTION GUIDE

For the proper selection of a C-type cleaner, the following data is required:

- . Belt width
- . Head pulley diameter
- . Conveyor belt speed
- . Type of bulk material
- . Operating temperature
- . Material discharge chute width

Once the conveyor data is collected, the type of model that matches the width of the conveyor belt is selected (See Table 8).



→ CTB-YYY-ZZZ

CONVEYOR BELT WIDTH
PULLEY DIAMETER

Table 8. Selection guide to determine C-type belt cleaner

Model	Belt width, mm (in)	Quantity of blades	Discharge chute width, mm (in)	"A" mm (in)	"B" mm (in)	"C" mm (in)
CTB-400	400 (16)	3	1220 (48)	302 (12)	187 (7,5)	60,5 (2,4)
CTB-500	500 (20)	4	1320 (52)	403 (16)	187 (7,5)	60,5 (2,4)
CTB-550	550 (22)	4	1420 (56)	403 (16)	187 (7,5)	60,5 (2,4)
CTB-600	600 (24)	5	1420 (56)	504 (20)	187 (7,5)	60,5 (2,4)
CTB-750	750 (30)	6	1620 (64)	605 (24)	187 (7,5)	60,5 (2,4)
CTB-800	800 (32)	6	1620 (64)	605 (24)	187 (7,5)	60,5 (2,4)
CTB-900	900 (36)	7	1720 (68)	706 (28)	187 (7,5)	60,5 (2,4)
CTB-1000	1000 (40)	8	1820 (72)	807 (32)	187 (7,5)	60,5 (2,4)
CTB-1050	1050 (42)	8	1820 (72)	807 (32)	213 (8,5)	60,5 (2,4)
CTB-1200	1200 (48)	10	2220 (88)	1009 (40)	213 (8,5)	60,5 (2,4)
CTB-1400	1400 (56)	12	2220 (88)	1211 (48)	213 (8,5)	60,5 (2,4)
CTB-1600	1600 (64)	14	2420 (96)	1413 (56)	213 (8,5)	76,3 (3,0)
CTB-1800	1800 (72)	15	2580 (102)	1514 (60)	213 (8,5)	76,3 (3,0)
CTB-2000	2000 (80)	17	2780 (110)	1716 (68)	213 (8,5)	76,3 (3,0)
CTB-2200	2200 (88)	19	2980 (118)	1918 (76)	213 (8,5)	76,3 (3,0)